

Temperature Controller 48X48mm

- Flush Mounting 48x48 mm
- Lower Depth of 65mm
- Universal Input
- Single and Dual LED Display
- Configurable Output: Relay or SSR Drive
- °C & °F temperature unit selectable
- Ramp & Soak profile with Power Failure resumption mode
- TC with CT input
- RS485 Communication
- Configurable Analog Input & Analog Output
- Multiple device programming with Memory card support
- Rapid Set Point change feature
- Alarm Functionality
- Single/Dual acting PID controllers
- IP 65 (for Front Panel) IP 20 (for Terminals & Enclosure)
- Auto-tuning PID with provision for Soft-Start
- CE, UKCA, ROHS Certified



Ordering Information

Cat. No.	Description
TCS1T100	Temp. controller, 3 digit single display, RTD & thermocouple input, 10A SPDT relay or SSR
TCS2T100	Temp. controller, 3 digit dual display, RTD & thermocouple input, 10A SPDT relay or SSR
TCS4T2A0	Temp. controller, 4 digit dual display, RTD & thermocouple input, 10A SPST relay or SSR & 5A SPST relay
TCS4T300	Temp. controller, 4 digit dual display, RTD & thermocouple input, 10A SPDT relay, SSR & 5A SPDT relay
TCS4U4A0	Temp. controller, 4 digit dual display, RTD, thermocouple & Analog input, 3 relay output 5A SPST, Analog output with CT Input
TCS4U50C	Temp. controller, 4 digit dual display, RTD, thermocouple & Analog input, 2 relay output 5A SPST, SSR & Analog output with Modbus
TCS4U40C	Temp. controller, 4 digit dual display, RTD, thermocouple & Analog input, 3 relay output 5A SPST, Analog output with Modbus
TCS4U5A0	Temp. controller, 4 digit dual display, RTD, thermocouple & Analog input, 2 relay output 5A SPST, SSR & Analog output with CT Input




Temperature Controller 48X48mm

Cat. No.	TCS1T100	TCS2T100	TCS4T2A0	TCS4T300
Display				
Display	3 Digit, Single display	3 Digit, Dual display	4 Digit, Dual display	4 Digit, Dual display
Display Color	RED	White + Orange	White + Green	White + Green
Display Size	15mm	Upper Display : 15mm Lower Display : 7.7mm	Upper Display : 15mm Lower Display : 7.7mm	Upper Display : 15mm Lower Display : 7.7mm
LED Indications	Output 1, Autotune, (last Segment of SSD for AT,ST)	Output 1, Autotune,	Output 1,2, Autotune, Timer	Output 1,2,3, Autotune, Timer
Programming method	Front Keys, Memory Card			
Multiple Device Programming	Memory card			
Input				
Thermocouples (TC)	J, K, T, R, S	J, K, T, R, S	J, K, T, R, S	J, K, T, R, S
RTD	PT-100	PT-100	PT-100	PT-100
mV				-5 to 60mV
Voltage (V)				
Current (mA)				
Output				
Output 1	10A SPDT/ SSR (12Vdc,50mA)	10A SPDT/ SSR (12Vdc,50mA)	5A SPDT/ SSR (12Vdc,50mA)	10A SPDT
Output 2			5A SPST	SSR (12Vdc,50mA)
Output 3				5A SPDT
Output 4 (Voltage,Current)				
Communication, CT input & Sensor Supply				
RS-485				
CT input				
Mechanical parameters				
Dimension (WXHxD) mm	48X48X65	48X48X65	48X48X70	48X48X70
Panel cutout	45X45	45X45	45X45	45X45
Indication Accuracy				
RTD	±0.5% of PV or ±3°C (Which ever is higher one),±1 digit at room temp			
TC	±0.5% of PV or ±2°C (Which ever is higher one),±1 digit at room temp			
Mounting	±0.5% of PV or ±3°C (Which ever is higher one),±1 digit at room temp			
Resolution				
TC : J,K,T (all TC)	1°C	1°C	0.1°C/ 1°C	0.1°C/ 1°C
TC: R & S	1°C	1°C	1°C	1°C
PT-100	1°C	1°C	0.1°C/ 1°C	0.1°C/ 1°C
mV			0.001	0.001
Analog (Voltage,Current)				
CT input			0.1	
Ambient conditions				
Operating temperature	0 to 60°C	0 to 60°C	0 to 60°C	0 to 60°C
Relative humidity	85% RH	85% RH	85% RH	85% RH



Temperature Controller 48X48mm

Cat. No.	TCS1T100	TCS2T100	TCS4T2A0	TCS4T300
Power Supply Characteristics				
Supply Input	90 to 270 VAC/DC			
Frequency	47 to 63Hz			
Power Consumption (Aprox)	≈ 6VA @ 240V AC			
Functional features				
Alarm functionality			Applicable	Applicable
Type of Alarm			Absolute low ("AbLO") / Absolute high ("AbhI") / - Absolute band ("AbbA") / Deviation low ("dELo") / Deviation high("dEhI") / Deviation band ("dEbA")	
Ramp & Soak				
Hour Meter			Applicable	Applicable
Dwell Timer			Applicable	Applicable
Control method	ON-OFF/PID	ON-OFF/PID	ON-OFF/PID	ON-OFF/PID
Controlling action	Heat/Cool	Heat/Cool	Heat/Cool/Heat-cool	Heat/Cool/Heat-cool
Tune method	Autotune			
Measurement Ranges				
J type	-199 to 750°C	-199 to 750°C	-199 to 750°C	-199 to 750°C
K type	-199 to 999°C	-199 to 999°C	-199 to 1350°C	-199 to 1350°C
T type	-199 to 400°C	-199 to 400°C	-199 to 400°C	-199 to 400°C
R & S	0 to 999°C	0 to 999°C	0 to 1750°C	0 to 1750°C
PT-100	-150 to 850°C	-150 to 850°C	-200 to 850°C	-200 to 850°C
Compliance & certification				
Product standard	IEC 61326			
Certification				




Temperature Controller 48X48mm

Cat. No.	TCS4U4A0	TCS4U50C	TCS4U40C	TCS4U5A0
Display				
Display	4 Digit, Dual display	4 Digit, Dual display	4 Digit, Dual display	4 Digit, Dual display
Display Color	White + Green	White + Green	White + Green	White + Green
Display Size	Upper Display : 15mm Lower Display : 7.7mm	Upper Display : 15mm Lower Display : 7.7mm	Upper Display : 15mm Lower Display : 7.7mm	Upper Display : 15mm Lower Display : 7.7mm
LED Indications	Output 1,2,3, Autotune, Timer	Output 1,2,3, Autotune, Timer	Output 1,2,3, Autotune, Timer	Output 1,2,3, Autotune, Timer
Programming method	Front Keys, Memory card			
Multiple Device Programming	Memory card			
Input				
Thermocouples (TC)	J, K, T, R, S, C, E, B, N			
RTD	PT-100			
mV	0 to 60mV & 12 to 60mV			
Voltage (V)	0 to 5V, 0 to 10V			
Current (mA)	0 to 20mA, 4 to 20mA			
Output				
Output 1	5A SPST	5A SPST	5A SPST	5A SPST
Output 2	5A SPST	5A SPST	5A SPST	5A SPST
Output 3	5A SPST	SSR (12Vdc,50mA)	5A SPST	SSR (12Vdc,50mA)
Output 4 (Voltage,Current)	0 to 10V/0 to 5V/0 to 20mA/ 4 to 20mA			
Communication, CT input & Sensor Supply				
RS-485		Applicable	Applicable	
CT input	Applicable			Applicable
Mechanical parameters				
Dimension (WXHxD) mm	48X48X85	48X48X85	48X48X85	48X48X85
Panel cutout	45X45	45X45	45X45	45X45
Indication Accuracy				
RTD	±0.5% of PV or ±2°C (Which ever is higher one),±1 digit at room temp			
TC	±0.5% of PV or ±2°C (Which ever is higher one),±1 digit at room temp			
Mounting	±0.5% of PV or ±3°C (Which ever is higher one),±1 digit at room temp			
Resolution				
TC : J,K,T (all TC)	0.1°C/ 1°C	0.1°C/ 1°C	0.1°C/ 1°C	0.1°C/ 1°C
TC: R & S	0.1°C/ 1°C	0.1°C/ 1°C	0.1°C/ 1°C	0.1°C/ 1°C
PT-100	0.1°C/ 1°C	0.1°C/ 1°C	0.1°C/ 1°C	0.1°C/ 1°C
mV	0.001	0.001	0.001	0.001
Analog (Voltage,Current)	0.001	0.001	0.001	0.001
CT input	0.1	0.1	0.1	0.1
Ambient conditions				
Operating temperature	0 to 60°C	0 to 60°C	0 to 60°C	0 to 60°C
Relative humidity	85% RH	85% RH	85% RH	85% RH



Temperature Controller 48X48mm

Cat. No.	TCS4U4A0	TCS4U50C	TCS4U40C	TCS4U5A0
Power Supply Characteristics				
Supply Input	90 to 270 VAC/DC			
Frequency	47 to 63Hz			
Power Consumption (Aprox)	≈ 8VA @ 240V AC			
Functional features				
Alarm functionality	Applicable			
Type of Alarm	Absolute low ("AbLO") / Absolute high ("AbhI") / Absolute band ("AbbA") / Deviation low ("dELo") / Deviation high("dEhI") / Deviation band ("dEbA")			
Ramp & Soak	Applicable			
Hour Meter	Applicable			
Dwell Timer	Applicable			
Control method	ON-OFF/PID			
Controlling action	Heat/Cool/Heat-cool			
Tune method	Autotune			
Measurement Ranges				
J type	-199 to 750°C			
K type	-199 to 1350°C			
T type	-199 to 400°C			
R & S	0 to 1750°C			
PT-100	-200 to 850°C			
C type	0 to 2300			
E type	-200 to 750°C			
B type	149 to 1820			
N type	-200 to 1300°C			
Compliance & certification				
Product standard	IEC 61326			
Certification				

EMI / EMC

Harmonic Current Emissions	IEC 61000-3-2
Voltage Current & Fluctuations	IEC 61000-3-3
ESD	IEC 61000-4-2
Radiated Susceptibility	IEC 61000-4-3
Electrical Fast Transients	IEC 61000-4-4
Surges	IEC 61000-4-5
Conducted Susceptibility	IEC 61000-4-6
Power Frequency Magnetic Field	IEC 61000-4-8
Voltage Dips Immunity Test (AC)	IEC 61000-4-11
Voltage Dips Immunity Test (DC)	IEC 61000-4-29
Conducted Emission	CISPR 14-1
Radiated Emission	CISPR 14-1

Safety test

Dielectric Strength (I/P & O/P)	IEC 60255-5
Impulse Voltage between I/P & O/P	IEC 60255-5
Single Fault	IEC 61010-01
Insulation Resistance	UL 508 > 100M Ohm
Leakage Current	UL 508 < 3.5mA

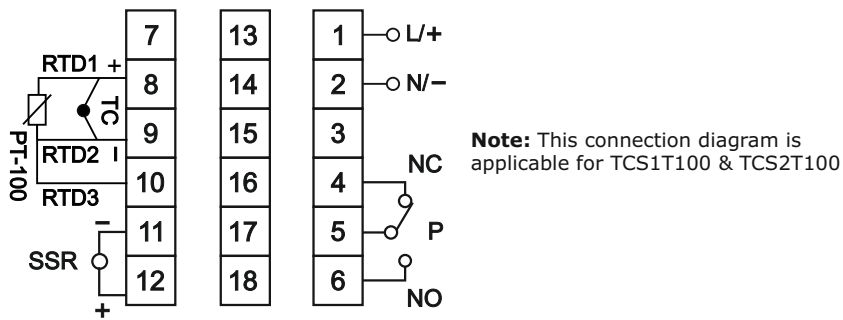
Environmental

Cold Heat	IEC 60068-2-1
Dry Heat	IEC 60068-2-2
Vibration	IEC 60068-2-6
Repetitive Shock	IEC 60068-2-27
Non-Repetitive Shock	IEC 60068-2-27

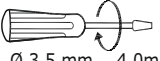
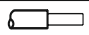


Temperature Controller 48X48mm

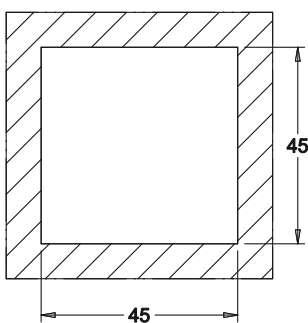
CONNECTION DIAGRAM



TERMINAL TORQUE & CAPACITY

 Ø 3.5 mm....4.0mm	0.6 N.m (5.3 Lb.in)
	1 x 4.0 mm ² Solid/Stranded Wire
AWG	1 x 20 to 10

MOUNTING DIMENSION (mm)



RECOMMENDED PANEL CUTOUT
45 mmX 45 mm +0.5 mm

