

Time Switch FM Series

- Modular construction
- Inbuilt over-ride facility
- High switching capacity
- Tamper proof sealing
- Analog version
- Daily/Weekly programming



Ordering Information

Cat. No.	Description	
J648B1	FM/1 QT	240 VAC, Daily Dial, Base / DIN Mounting*
J848B1	FM/1 QW	240 VAC, Weekly Dial, Base / DIN Mounting*
J638B1	FM/1 QT	110 VAC, Daily Dial, Base / DIN Mounting*
J838B1	FM/1 QW	110 VAC, Weekly Dial, Base / DIN Mounting*

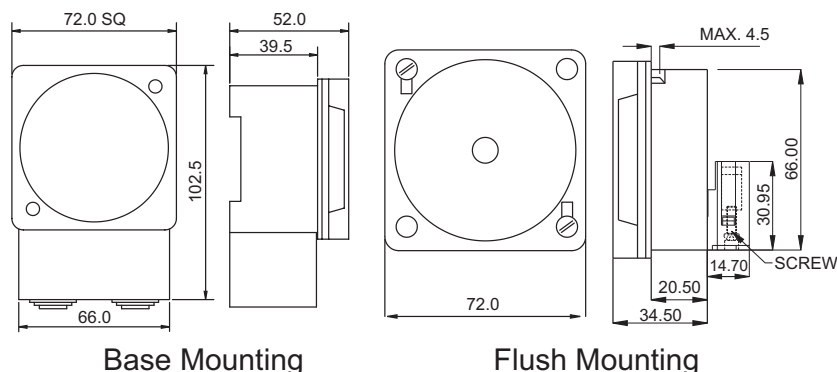
Note: For Flush Mounting model, replace B by F in Cat. No.

Time Switch FM Series

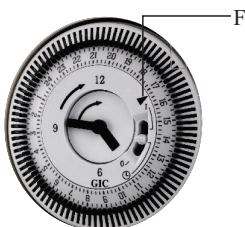
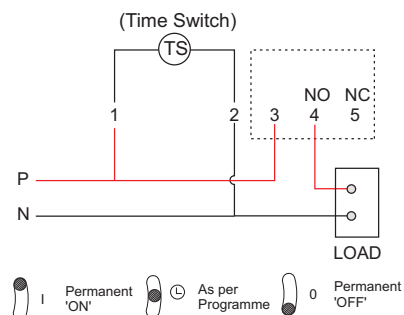


Cat. No.		J648B1
Parameters		
Supply Voltage	☐	240 VAC
Frequency		50/60 Hz
Power Consumption (Max.)		2 VA
Accuracy		± 1.5 s/day at 20°C
Relay Output		1 C/O
Contact Rating	Resistive	16A @ 250 VAC, 0.25A @ 220VDC
	Inductive (cosφ = 0.6)	8A @ 250 VAC, 0.1A @ 220 VDC
	Incandescent Lamp	1350 W
Shortest Switching Time	Daily	15min
	Weekly	2h
Power reserve		150h
Memory locations		N. A.
Storage Temperature		- 20°C to + 55°C
Manual Over-ride		Provided
Mounting		Flush, Base / DIN rail
Weight (unpacked)		185 g

MOUNTING DIMENSION (mm)



CONNECTION DIAGRAM



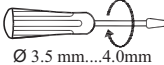
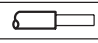
TIME SETTING:

Rotate the switching Dial in clockwise direction until the current time (day / time in case of weekly model) is almost opposite to the marking arrow F. For fine adjustment rotate the minute hand in the clockwise direction until the clock shows the current time.

PROGRAMMING:

Required Switch ON time is set on the Switching Dial by radially pulling outwards the corresponding black segments. Each segment on daily dial corresponds to 15 mins. & on weekly Dial corresponds to 2 hours.

TERMINAL TORQUE & CAPACITY

 Ø 3.5 mm...4.0mm	0.60 N.m (6 Lb.in)
	1 x 4.0 mm ² Solid/Stranded Wire
AWG	1 x 20 to 10

*Products available for sale only in selected Countries