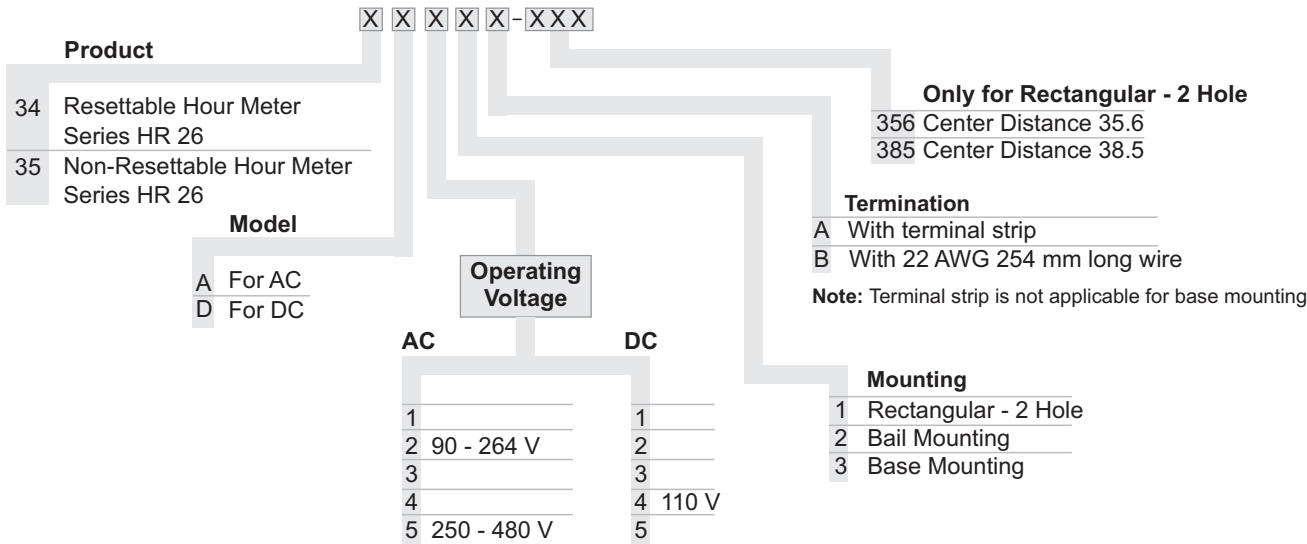


# Hour Meter Series HR 26

- 6-digit Compact and Robust Design
- Push-button quick reset
- High Accuracy and Reliability
- Requires no lubrication or maintenance
- Optional locking for reset button
- Ideal where space is limitation
- Three mounting options: Bail, Panel, Base

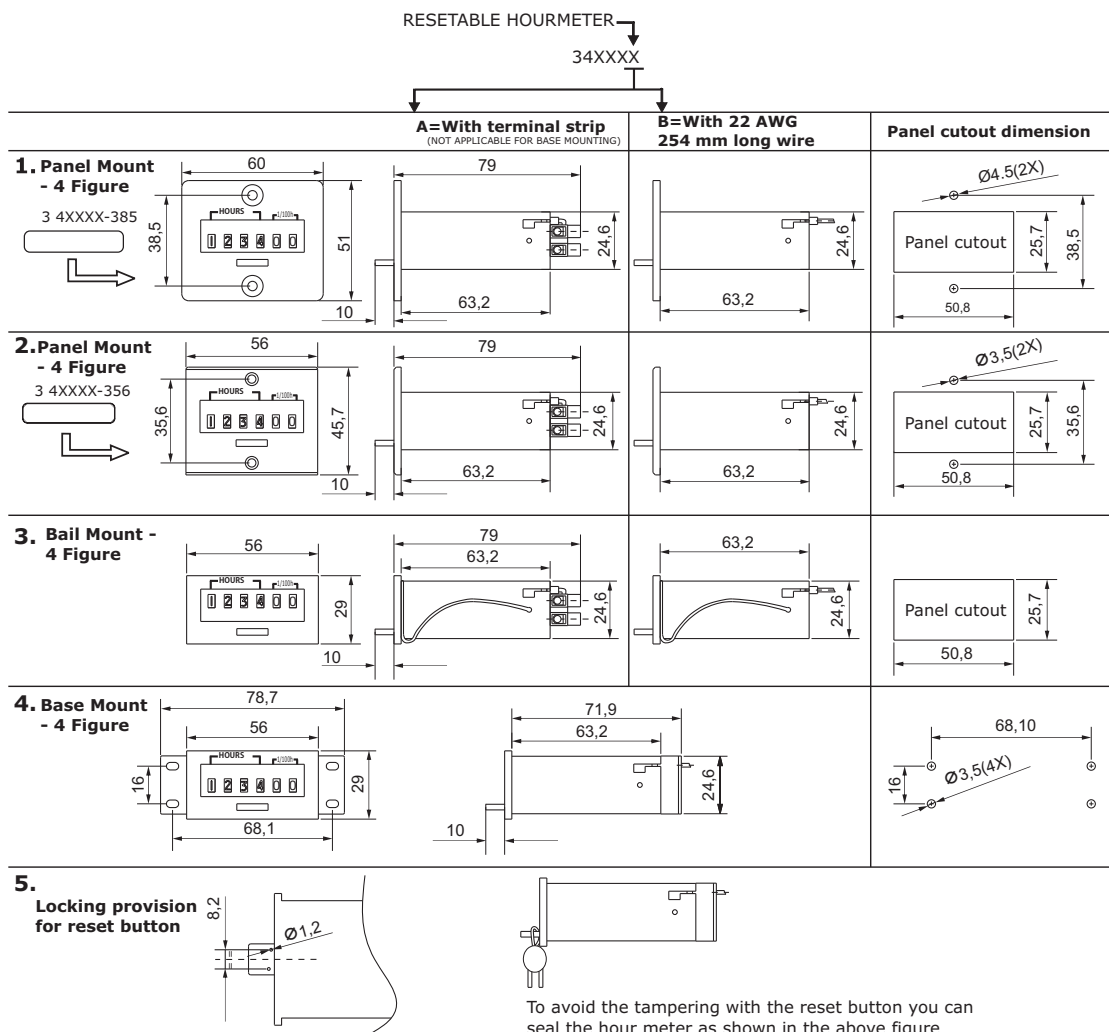


# Hour Meter Series HR 26



Parameters	AC		DC
Supply Voltage & Frequency	90 - 264 VAC, 50/60 Hz	250 - 480, 50/60 Hz	110 VDC
Power Consumption (Max.)	0.35 VA	0.5 VA	0.25 W
Register	6 Digit (4.0 mm)		
Read Out	9999.99		
Least Count	0.01 Hrs		
Accuracy	±0.02% over entire range		
Weight	150gms (approx)		
Operating Temperature	-5° C to +55° C (Non-Freezing)		
Operating Humidity	45 ~ 85% RH (non-condensing)		
Termination	Termination- Pin type or Solid Wire 2.5mm <sup>2</sup> , M3 Screw, 0.6Nm Torque. Or Termination also available with Wire 22 AWG, 254mm long.		
Type of Mounting	Panel, Bail & Base		
Degree of Protection	IP 30		
Certification			

## MOUNTING DIMENSIONS (mm)



**Note:** For Resettable Hour Meter do not reset push button during change over.