

GSM Alarm Modem

- GSM Alarm Modem is specifically designed to provide GSM features to Mini PLC PL-100
- GSM Alarm Modem enables monitoring of inputs, outputs and controlling of outputs of Mini PLC PL-100 through SMS facility
- The preset and current value related to special function blocks (SFB) that are available in the ladder logic can be monitored
- Analog input and output values can also be effectively monitored and controlled
- Diagnostic information about all the inputs and outputs of devices connected in the System is available for users
- Device and Clock settings can be configured by sending respective queries to the device
- User can integrate Special Function Blocks such as Send and Receive SMS along with others like Timers, Time Switches, Counters, etc. for various applications
- Alert messages can be received from the GSM Alarm modem depending on the ladder logic
- Power Failure condition can also be effectively reported





Ordering Information

Cat. No.	Description
40B2BAVAA	24 VDC, Module for GSM Alarm Modem with wire type antenna

GSM Alarm Modem



Cat. No.	40B2BAVAA
Parameters	
Supply Voltage (φ)	24 VDC
Supply Variation	-20% to +10% (of φ)
Interface Port	RJ11
Interface	RS 232/RS485
Signal	Tx, Rx, GND/ D+, D-
Power Fail SMS	Yes
Power ON SMS	Yes
Communication Break SMS	Yes
Power ON	Yes (Green LED)
Transmit Data	Yes (Green LED)
Receive Data	Yes (Green LED)
Network	Yes (Green LED)
Error	Yes (Red LED Blinking)
Enclosure type	4 Modular
Operating Temperature	-5 °C to 55 °C
Storage Temperature	-10 °C to 60 °C
Relative Humidity	20-90% RH (Without condensation)
Environmental Air	No excessive dust or corrosive gas allowed
Mounting	Base / DIN rail
Certification	 
Degree of Protection	IP 20 for Terminals, IP 40 for Enclosure

EMC Tests

ESD	IEC 61000-4-2 Ed. 1.2 (2001-04) Level II
Radiated Susceptibility	IEC 61000-4-3 Ed. 3.0 (2006-02) Level III
Electrical Fast Transients	IEC 61000-4-4 Ed. 2.0 (2004-07) Level III
Surge	IEC 61000-4-5 Ed. 2.0 (2005-11) Level II
Conducted Susceptibility	IEC 61000-4-6 Ed. 2.2 (2006-05) Level III
Voltage Dips	IEC 61000-4-29 Ed. 1.2 (2000-08) All Level
Conducted Emission	CISPR 14-1 Ed. 5.0 (2005-11) Class A
Radiated Emission	CISPR 14-1 Ed. 5.0 (2005-11) Class A

Safety

Single Fault	IEC 61010-1 Ed. 2.0 (2001-02)
Insulation Resistance	UL 508 Ed. 17 (1999-01) >50 KOhm
Leakage Current	UL 508 Ed. 17 (1999-01) < 3.5 mA

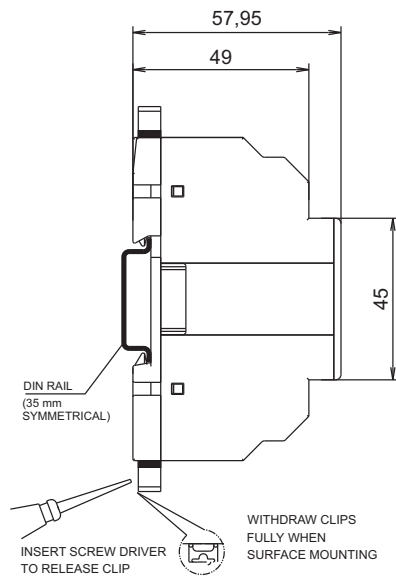
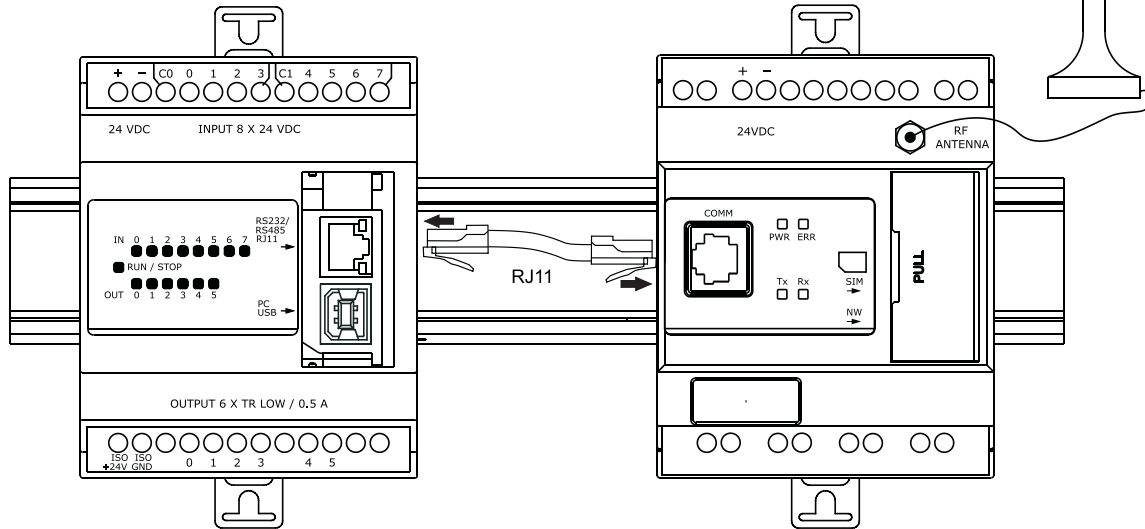
Environmental testing

Cold Heat	IEC 60068-2-1 Ed. 6.0 (2007-03)
Dry Heat	IEC 60068-2-2 Ed. 5.0 (2007-07)
Vibration	IEC 60068-2-6 Ed. 7.0 (2007-12) 5 g
Repetitive Shock	IEC 60068-2-27 Ed. 4.0 (2008-02) 40 g, 6 ms
Non-repetitive Shock	IEC 60068-2-27 Ed. 4.0 (2008-02) 30 g, 15 ms

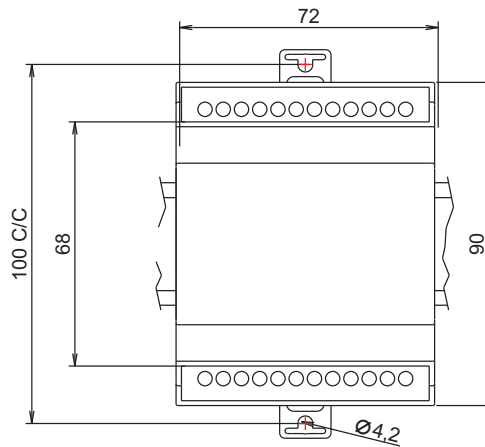
GSM Alarm Modem



MOUNTING DIMENSIONS (mm)



SIDE VIEW



FRONT VIEW

TERMINAL TORQUE & CAPACITY

	0.54 N.m (6 Lb.in)
	1 x 2.5 mm ² Solid Wire/Stranded
AWG	1 x 24 to 12