

Digital Hour Meter

- 6-digit LCD
- In-built nonvolatile memory (EEPROM) offering exceptional reliability
- Wide range of supply voltage
- Remote reset
- Available in 3 different Bezels
- Low Power Consumption





Ordering Information

Cat. No.	Description
Z71FBX	85-265 VAC model
ZJ1FBX	12-48 VAC/DC model
ZH1FBX	10-80 VDC model
X	A = Round Bezel, B = 24x48 Bezel, C = Screw Mount Bezel

Digital Hour Meter



Cat. No.	Z71FBX	ZJ1FBX	ZH1FBX
Parameters			
Supply Voltage (±)	85 - 265 VAC	12 - 48 VAC/DC	10 - 80 VDC
Frequency	50/60 Hz	50/60 Hz	N A
Power Consumption (Max.)	0.8 VA	0.4 W	0.6 W
Range	99999.9 h		
Display	6-digit LCD 5mm Height		
Resolution	1/10 h		
Accuracy	± 0.02%		
Memory Retention	100 Years		
Operating Temperature	-10° C to +50° C		
Storage Temperature	-20° C to +65° C		
Humidity	95% (Rh)		
Degree of Protection	IP54 (for front side only)		
Enclosure	UL94-V0		
Terminals	1, 2: Input Supply, 3: Enable 4: Reset		
Panel cut outs	Round Bezel, 24 x 48 Bezel, Screw Mount Bezel		
Mounting	Flush / Panel Mounting		
Certification	 		
Weight (unpacked)	With Round Bezel- 35g, with 24 x 48 Bezel- 29 g, with Screw Mount Bezel- 31 g		

EMI / EMC

Harmonic Current Emissions	IEC 61000-3-2
ESD	IEC 61000-4-2
Radiated Susceptibility	IEC 61000-4-3
Electrical Fast Transients	IEC 61000-4-4
Surges	IEC 61000-4-5
Conducted Susceptibility	IEC 61000-4-6
Voltage Dips & Interruptions (AC)	IEC 61000-4-11
Voltage Dips & Interruptions (DC)	IEC 61000-4-29
Conducted Emission	CISPR 14-1
Radiated Emission	CISPR 14-1

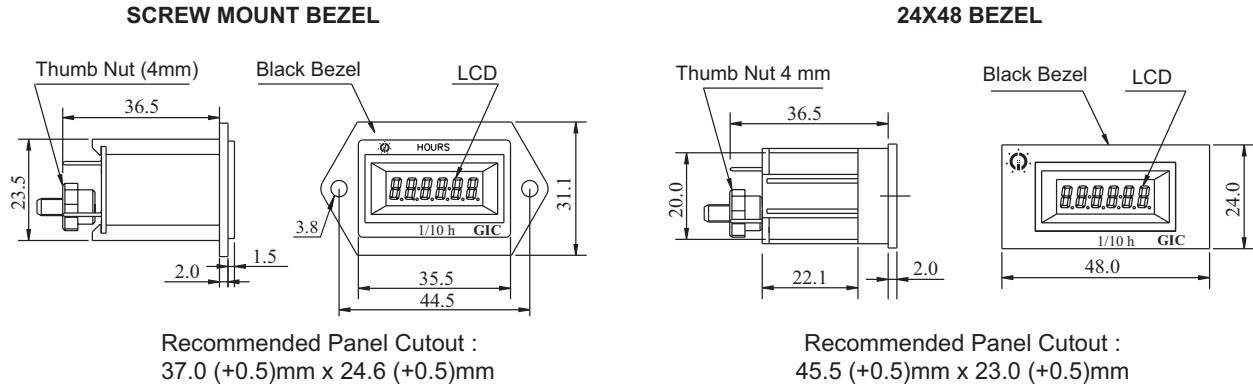
Environmental

Cold Heat	IEC 60068-2-1
Dry Heat	IEC 60068-2-2
Vibration	IEC 60068-2-6
Repetitive Shock	IEC 60068-2-27
Non-Repetitive Shock	IEC 60068-2-27

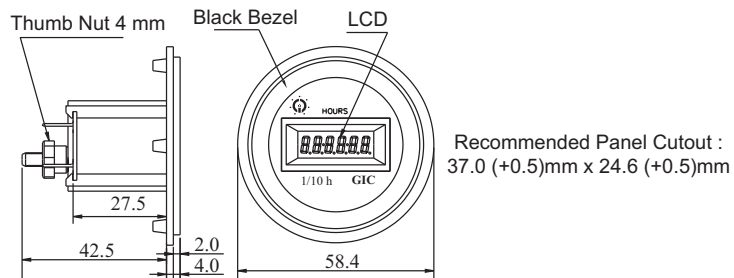
Digital Hour Meter

MOUNTING DIMENSION (mm)

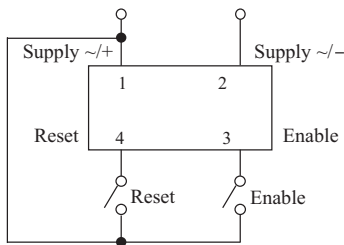
DIGITAL HOUR METER



ROUND BEZEL



CONNECTION DIAGRAM



TERMINAL DESCRIPTION

- Pin 1: Supply (~ / +)
- Pin 2: Supply (~ -)
- Pin 3: Enable
- Pin 4: Reset

DIGITAL HOUR METER