

# Synchronous Timer - Series EM 1000

- Time delay is independent of normal voltage and temperature fluctuations
- Black pointer gives clear indication of the time set on the calibrated dial while the red one indicates the time left to complete the cycle
- Automatic reset on de-energisation of the clutch coil
- Base mounting or flush mounting versions
- No-volt feature available



## Ordering Information

Timing Ranges(SR)    B

B	0.15 - 3.0	SEC
C	1.5 - 30	SEC
D	0.15 - 3.0	MIN
E	1.5 - 30	MIN
F	0.15 - 3.0	HRS
G	1.5 - 30	HRS
H	0.3 - 6.0	SEC
J	3.0 - 60	SEC
K	0.3 - 6.0	MIN
L	3.0 - 60	MIN
M	0.3 - 6.0	HRS
N	3.0 - 60	HRS
P	0.6 - 12	SEC
Q	6.0 - 120	SEC
R	0.6 - 12	MIN
S	6.0 - 120	MIN
T	0.6 - 12	HRS
V	6 - 120	HRS

Timing Ranges(MR)

X	0.15 SEC.-3.0 HRS.
Y	0.3 SEC.- 6.0 HRS.
Z	0.6 SEC.-12.0 HRS.

Voltage

3	110V AC 50 Hz
4	240V AC 50 Hz
C	110V AC 60 Hz
D	240V AC 60 Hz

Delay

1	Standard ON delay
2	With 'NO VOLT'

Mounting

B	Base Mounting
F	Flush (door) Mtg.

Contact

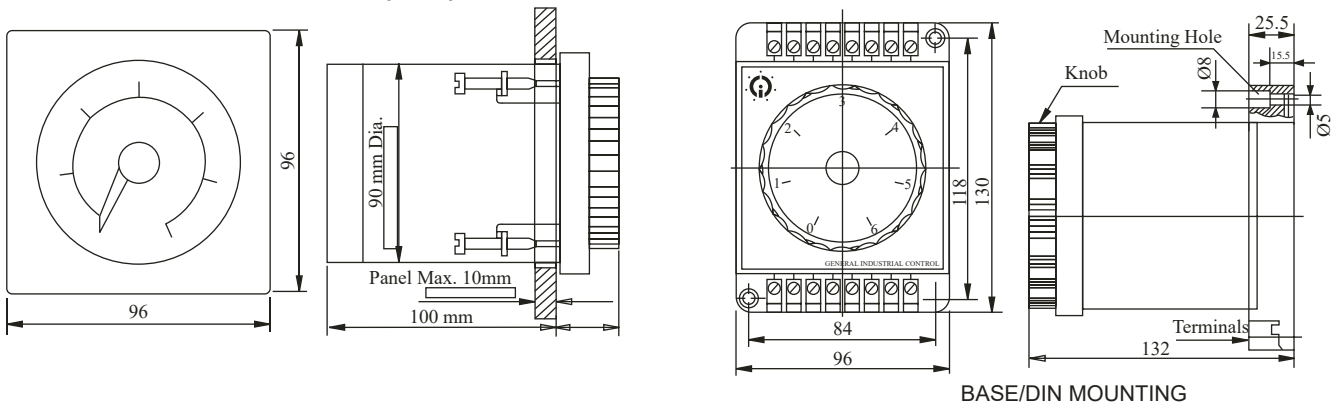
1	1 Inst + 1 Del C/O
2	1 Inst + 2 Del C/O

# Synchronous Timer - Series EM 1000

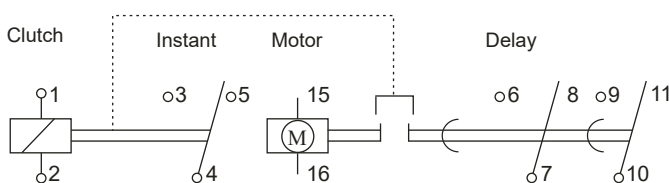


Mode	ON Delay	ON Delay Retentive (No Volt)
Functional Diagram		
Supply Variation	- 20% to +10%	
Frequency Variation	95% to 105%	
Power Consumption (Max.)	10 VAC	
Timing Range	0.15s to 120h	
Repeat Accuracy	± 0.5% of Full Scale Range @ Constant Frequency	
Output	Output Contact	1 Instant + 1 Delayed / 1 Instant + 2 Delayed (Optional)
	Contact Rating	6A (resistive) @ 250 VAC
	Switching Frequency	3000 operations/hr. (Max.)
Operating Temperature	-5°C to 45°C	
Enclosure	Conforms to IP30 - IS 13947.	
Dimension (W x H x D) (in mm)	96 X 96 X 100	
Weight (unpacked)	530 g	
Mounting	Flush / Base	
Terminal Connection	1– 2.5 mm <sup>2</sup> solid/stranded.	
Degree of Protection	IP20	

## MOUNTING DIMENSION (mm)



## CONNECTION DIAGRAM



## TERMINAL TORQUE & CAPACITY

Ø 3.5 mm....5.0mm	0.80 N.m (7.1 Lb.in)
	2 x 2.5 mm <sup>2</sup> Solid/Stranded Wire
AWG	2 x 20 to 14