

Isolated Relay Output Module

- Provides effective 3 way Isolation between supply, input switch & relay output
 - Provides isolation of dissimilar circuits
 - Enables control of multiple loads when only one relay output is available
 - Isolated Relays are mainly used in fire safety applications that interface with HVAC system, elevator controls and access control doors.
- It can also be integrated with PLC systems.





Ordering Information

Cat. No.	Description
IRLA01S	110-240 VAC, Isolated Relay Output Module with One channel, 1C/O, 8A
IRLA02S	110-240 VAC, Isolated Relay Output Module with Two channel, 2C/O, 8A
IRLA04S	110-240 VAC, Isolated Relay Output Module with Four channel, 4C/O, 8A
IRLA08S	110-240 VAC, Isolated Relay Output Module with Eight channel, 8C/O, 8A

Isolated Relay Output Module



Cat. No.		IRLA01S	IRLA02S	IRLA04S	IRLA08S
Parameters					
Function		Interface/ Control Relay			
Supply Voltage (Φ)		85 - 265 VAC			
Frequency		47 - 63 Hz			
Power Consumption (Maximum)		2.5 VA	3 VA	3.8 VA	5.6 VA
LED Indication	GREEN	ON	Power ON		
		OFF	Power OFF		
	RED	ON	Relay ON		
		OFF	Relay OFF		
Output	Relay	1 C/O, 8A (Res.) @ 240 VAC / 30 VDC			
	Contact Material	AgNi / AgSnO ₂			
Mechanical Life Expectancy		1x10 ⁷ Operations			
Electrical Life Expectancy		1x10 ⁷ Operations			
Operating Temperature		-20° C to +55 °C			
Storage Temperature		-25° C to +70 °C			
Relative Humidity (Non-Condensing)		15 to 85% (RH)			
Max. Operating Altitude		2000 m			
Degree of Protection		IP-20 for Terminals; IP-40 for Housing			
Pollution Degree		2			
Housing		Flame Retardant UL 94-V0			
Mounting		Base / Din-Rail (35 mm Symmetrical)			
Dimension (W x H x D) (in mm)		See the related Diagram			
Weight (packed) approx.		90 g	129 g	209 g	303 g
Certification		 			
Safety					
Test Voltage Between IEC 60947-5-1 ED.3.0 (2003-11)	Supply I/P to I/P Switch	4 kVAC			
	Supply I/P to O/P Switch	4 kVAC			
	I/P Switch to Relay O/P	4 kVAC			2.5 kVAC
Impulse Voltage Between I/P & O/P		IEC 60947-5-1			
Single Fault		IEC 61010-1			
Insulation Resistance		UL 508			
Leakage Current		UL 508			

EMI / EMC

Harmonic Current Emissions	IEC 61000-3-2
ESD	IEC 61000-4-2
Radiated Susceptibility	CISPR 14-1
Electrical Fast Transients	IEC 61000-4-4
Surges	IEC 61000-4-5
Conducted Susceptibility	IEC 61000-4-6
Voltage Dips & Interruptions (AC)	IEC 61000-4-11
Conducted Emission	CISPR 14-1
Radiated Emission	CISPR 14-1

Environmental Compliance

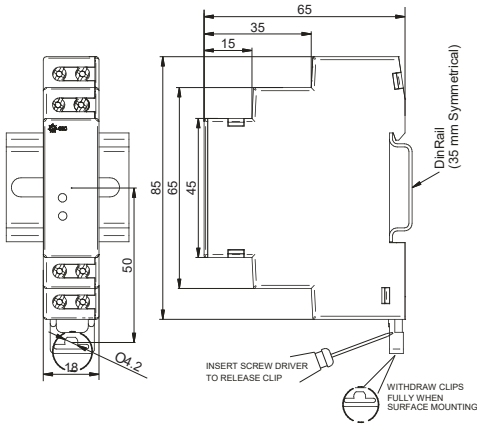
Cold Heat	IEC 60068-2-1
Dry Heat	IEC 60068-2-2
Vibration	IEC 60068-2-6
Repetitive Shock	IEC 60068-2-27
Non-Repetitive Shock	IEC 60068-2-27

Isolated Relay Output Module

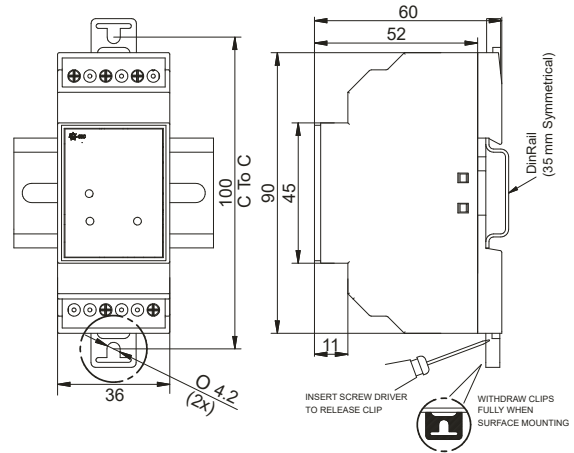


MOUNTING DIMENSIONS (mm)

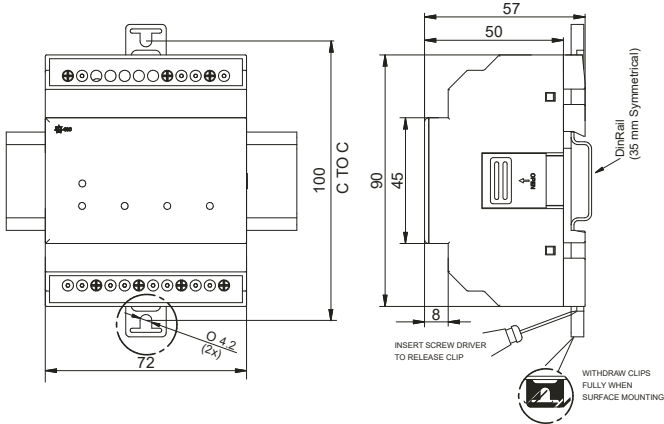
Single Channel



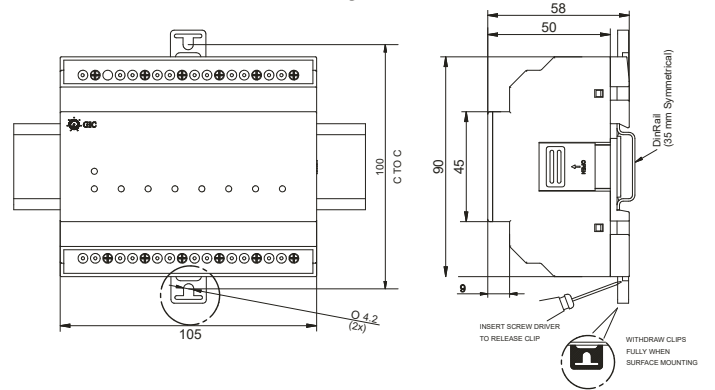
Two Channel



Four Channel

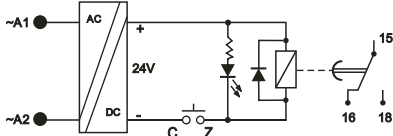


Eight Channel

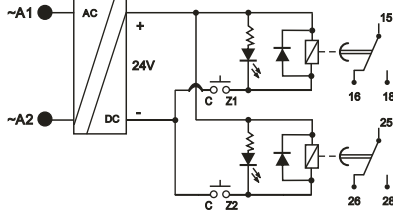


CONNECTION DIAGRAM

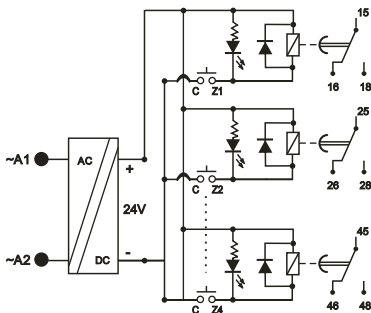
Single Channel



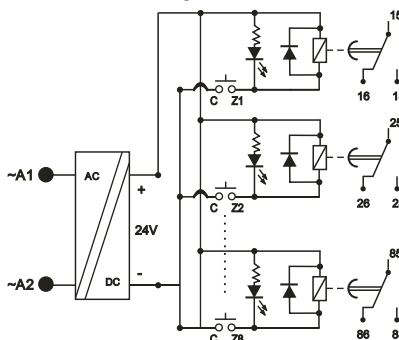
Two Channel



Four Channel

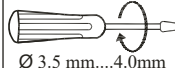



Eight Channel

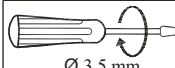



TERMINAL TORQUE & CAPACITY

Single Channel

	0.60 N.m (6 Lb.in)
Ø 3.5 mm...4.0mm	
	1 x 4.0 mm ² Solid/Stranded Wire
AWG	1 x 20 to 10

Two, Four & Eight Channel

	0.54 N.m (6 Lb.in)
Ø 3.5 mm	
	1 x 2.5 mm ² Solid/Stranded Wire
AWG	1 x 24 to 12